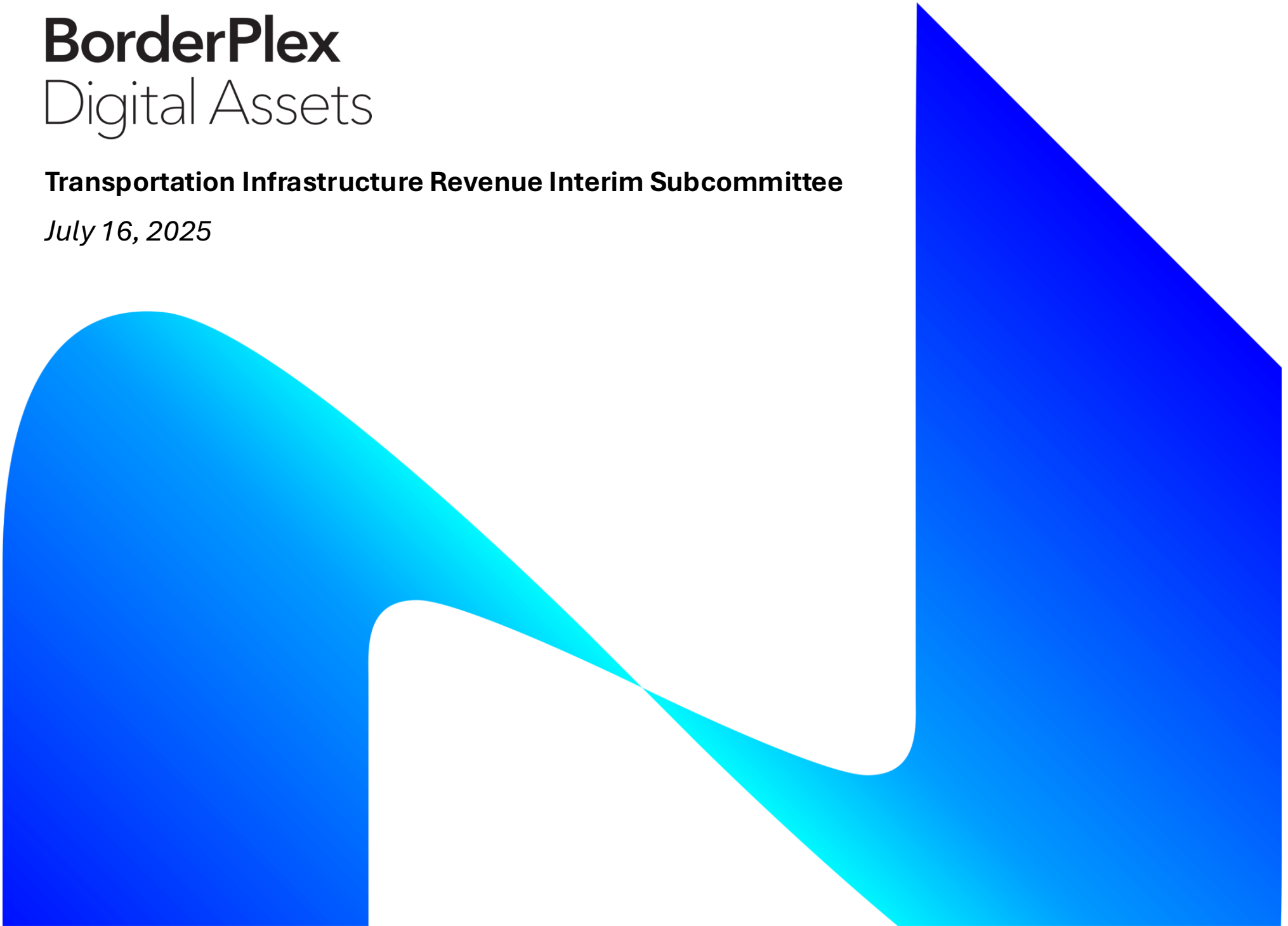


# BorderPlex

## Digital Assets

**Transportation Infrastructure Revenue Interim Subcommittee**

*July 16, 2025*



# The Borderplex Region Offers a Unique Opportunity

- **Prime location** close to an inland port and near already existing infrastructure
- **Connection to the US highway system**, enabling trucks to easily travel to anywhere in the United States
- **Abundant land** for growth and expansion
- **Rapidly growing trans-border market** positioned for continued expansion following Bridge of Americas' impending closure
- **Welcoming political environment and government** that wants to work closely with you
- **A reliable partner** to provide power and water

# The Borderplex Region: Gateway to America Connected to major US metropolitan areas



# Strategic nexus at center of competitive landscape



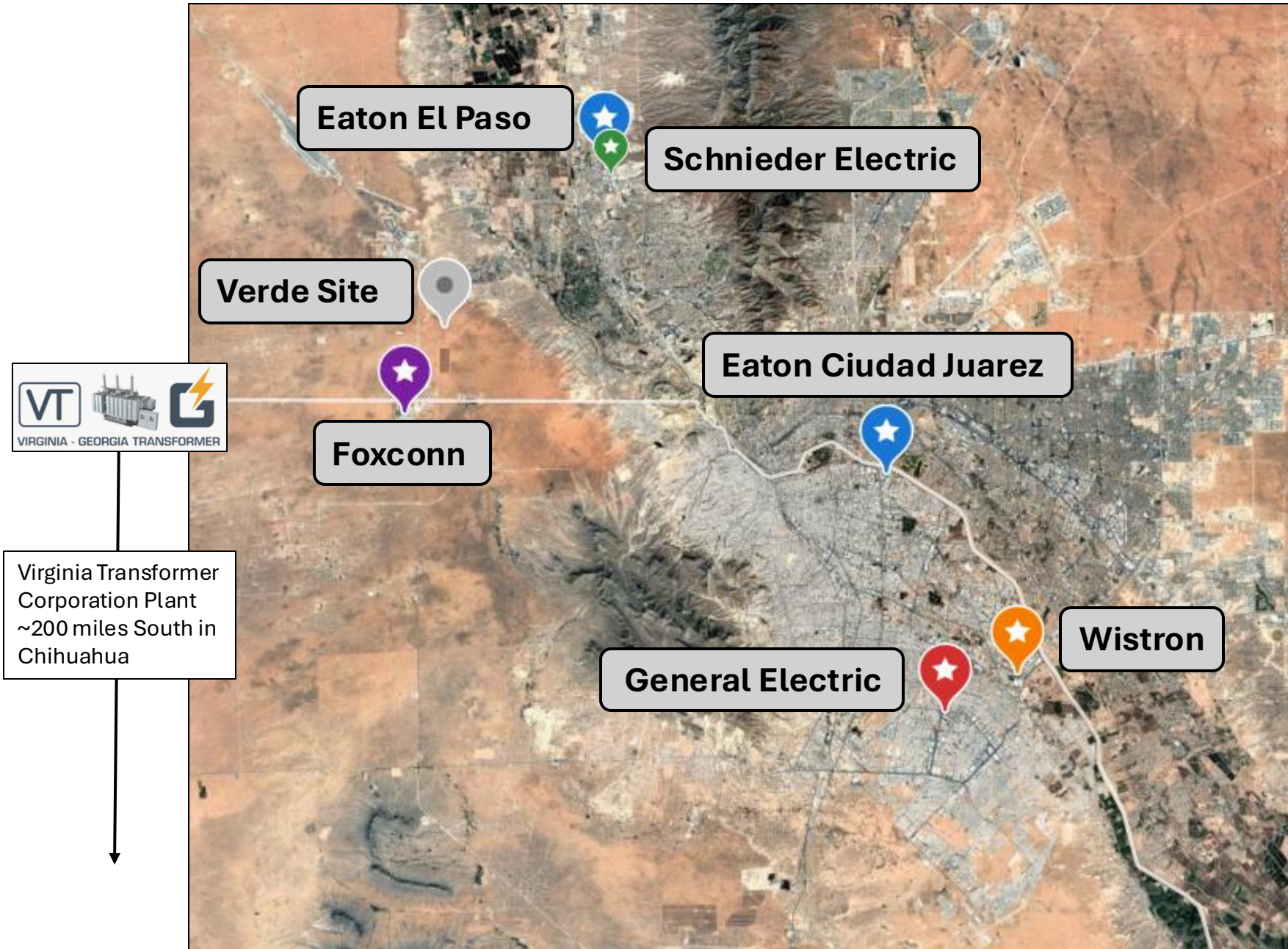
The Paso del Norte region ranks #3 in commercial crossings along the U.S.-Mexico ports of entry

The Santa Teresa Port of Entry is the easternmost land crossing between the U.S. & Mexico

The Bridge of Americas' impending closure presents a significant opportunity for expansion



# Strategic Location in Close Proximity to Network of Electrical Equipment Manufacturers



Virginia Transformer Corporation Plant  
~200 miles South in Chihuahua

# The Power of AI

# Explaining AI



**Artificial Intelligence (AI) refers to computers that can learn, reason, and help make decisions.**

**It powers tools that can understand language, recognize patterns, and respond in real time**

## **Examples For Everyday People**

- **Faster, cheaper healthcare access:** AI chat tools can handle triage and routine medical questions, especially in rural areas with limited medical staff
- **Individualized tutoring every student:** AI tutors can offer personalized guidance in any subject, leveling the playing field for families without access to private tutoring.
- **Job training at your fingertips:** Workers can get hands-on coaching from AI to learn trades without costly courses.

## **Examples For Small Businesses & Local Employers**

- **Marketing in minutes, not weeks:** A small business can use AI to create websites, ads, menus, hiring posts, and even legal templates without needing an agency.
- **Hiring and training support:** AI tools can screen resumes, help with onboarding, and guide new hires in real-time.
- **Language access:** Businesses can instantly translate materials or provide customer support in Spanish, Vietnamese, Navajo or other community languages.

**AI will transform every industry: healthcare, education, energy, logistics, manufacturing, etc.**

**It's expected to add trillions to the global economy in the next decade.**

**But it needs infrastructure to work: massive data centers powered by land, electricity, and fiber.**

# AI & New Mexico: An Opportunity to Power the Future



The states that build this infrastructure will:

- **Attract investment** from top tech firms and manufacturers
- **Create thousands of high-paying jobs** in construction, tech, and support
- **Generate massive new revenues**
- **Modernize local infrastructure:** power, roads, water, education



## Why New Mexico Can Lead

- Abundant **land** and **sun**
- Access to **power**
- A **strategic border location** for logistics
- World-class science hubs at **Los Alamos & Sandia**
- A chance to **anchor the AI economy** in the Borderplex region



# Borderplex Digital Assets Offers a Fully-Integrated Approach to Powering the Future



## Our Goal

Revolutionize Infrastructure for the 21st Century by unifying land, power, water, cooling, fiber, and compute into a single, software-optimized platform, and uses software to enable these physical elements to be consumed like digital infrastructure—simply, quickly and intuitively.

## What We are Creating

A repeatable model of vertically-integrated Digital Infrastructure Campuses - traditional data centers, AI-specific data centers, advanced manufacturing, and other applications on a single campus. Through the collaboration with utility providers and microgrid generation, we aim to provide a de-risked path to cutting-edge electrical infrastructure being deployed in the BorderPlex region.



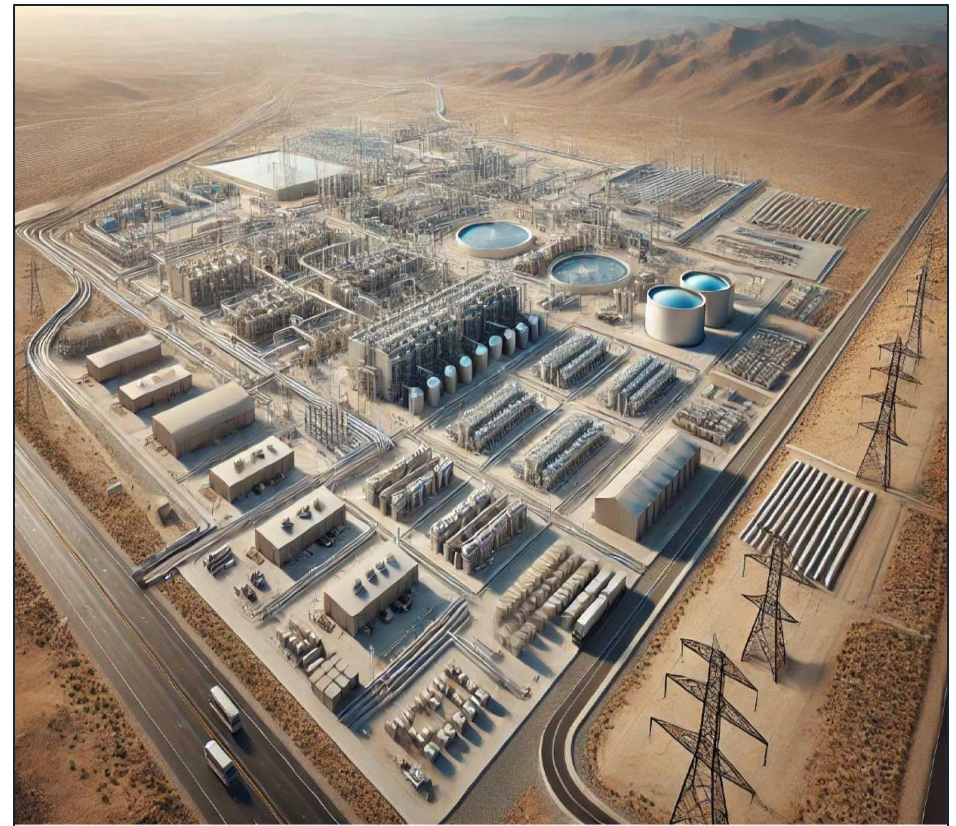
# The Opportunity: An AI & Advanced Manufacturing Campus

Our Vision for Powering the Future of Infrastructure



**We are seeking to build a next-generation full-stack infrastructure platform:** Dedicated microgrid with integrated capacity purpose-built for AI and advanced manufacturing. Designed to meet the most demanding workloads and to evolve with the needs of the market.

- **Campus in Santa Teresa, NM:** Strategically located, energy-rich, and built for hyperscale growth
- **Integrated Industrial Stack:** Data centers, advanced manufacturing, and AI-optimized logistics – all on a single platform
- **AI-Driven Orchestration:** Autonomous management of power, compute, and cooling for peak efficiency



# Transforming the Community with Sustainable Power and Economic Growth



Unlocking New Opportunities by Developing Datacenters and Advanced Manufacturing Hubs Powered by our Microgrid

This revenue potential sets the stage for a transformative community impact

Potentially 1,000s of jobs in construction, operations, and support

Attracting hyperscalers and manufacturers to Santa Teresa

Billions of dollars of economic growth, enhancing local infrastructure

The Borderplex has the potential to become a hub for the future

**Power**

# The Problem – Powering the AI Revolution



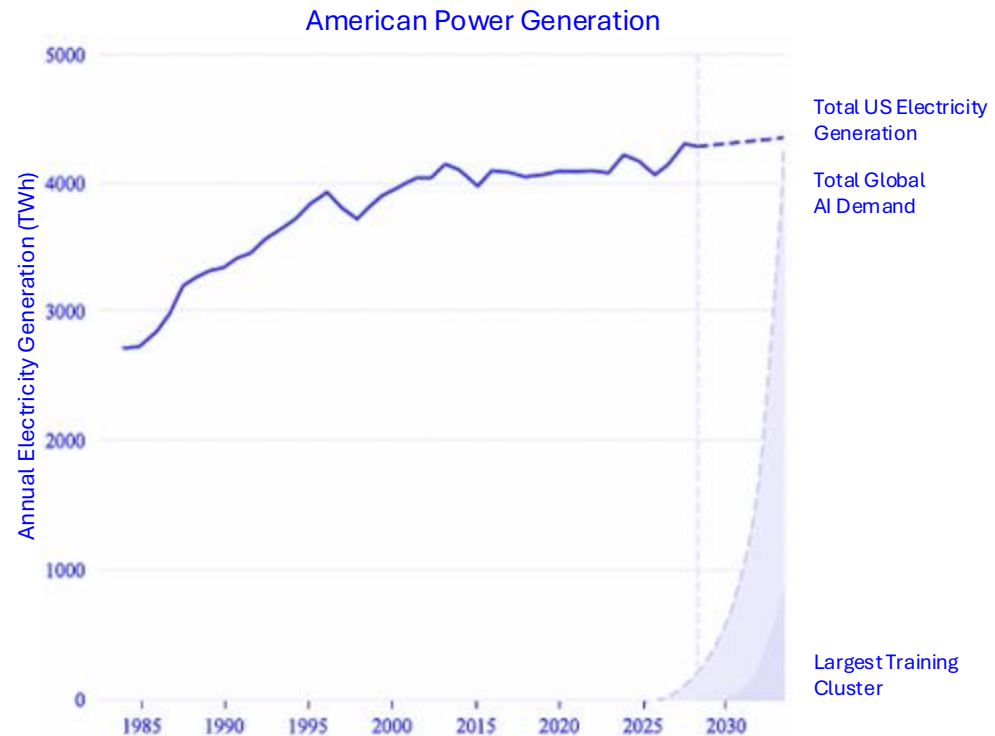
**2–3x growth** in U.S. data center energy demand by 2028, driven by AI workloads, is outpacing infrastructure development



**Permitting delays, interconnection hurdles, and utility grid congestion** are choking deployment in the US



**Disjointed infrastructure and location-specific constraints** are bottlenecking AI innovation





# Why Integrated Power Infrastructure Matters



## Scalable Power Infrastructure

Incremental power and storage solutions align with our growing power ramp estimates, ensuring reliability and scalability.

## Collaborative Utility Partnerships

Systems are designed in partnership with local utilities to integrate seamlessly and strengthen grid resilience.

## Clean Energy Portfolio

Includes modular, scalable solutions with a mix of clean energy sources and natural gas, supported by carbon mitigation strategies.

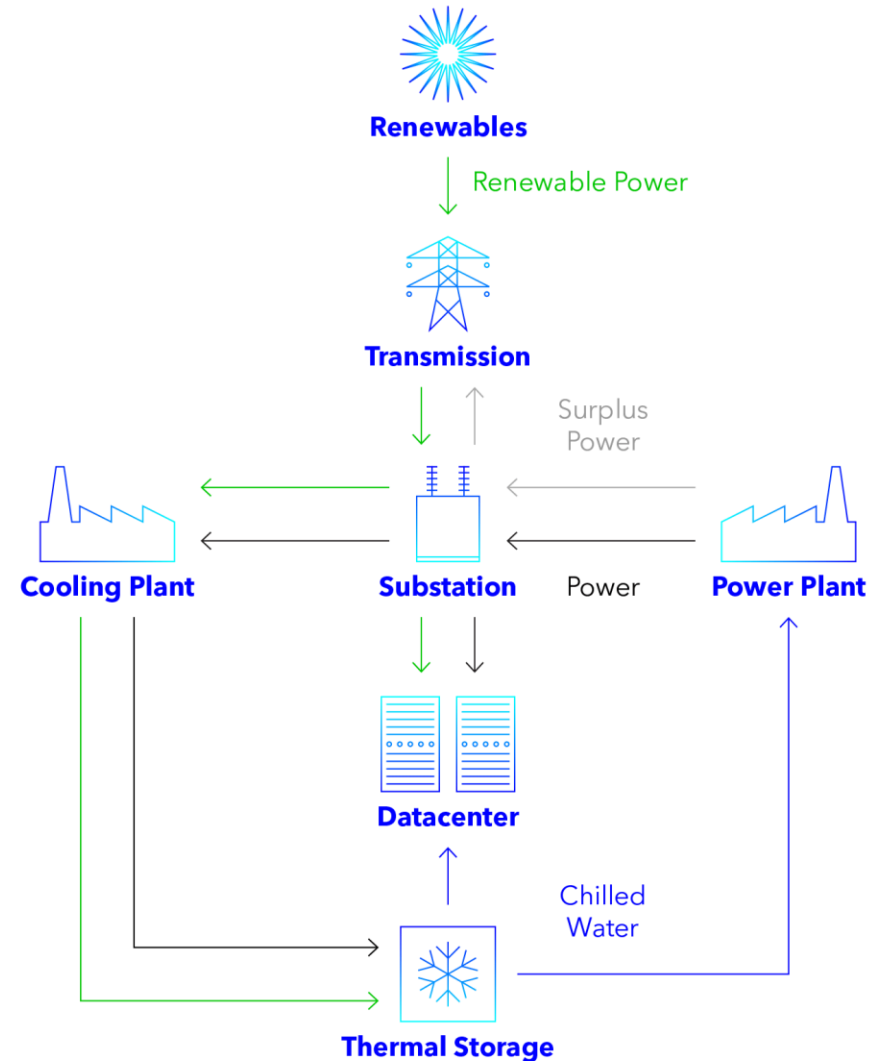
## Integrated Efficiency

Combines power generation, cooling, and storage to optimize energy use and operational efficiency.

## Future-Proof Design

Designed to enable potential future advanced technologies like carbon capture, green hydrogen, and water sustainability for long-term viability.

The Technology Envelope





# The Future Role of SMRs in Clean Infrastructure

## *Emerging Solutions*

---

### Why Data Centers Need Reliable Clean Power:

- Companies want **low-carbon** sources to meet sustainability goals
- Face challenges with **grid congestion** or **intermittent renewables** in remote areas

### How SMRs Can Help:

- **Compact & Scalable:** Potentially employable near or on-site
- **Carbon-Free:** No greenhouse gas emissions during operation
- **Consistent Output:** Provides steady **baseload power**
- **Safe Design:** Passive safety features, smaller fuel loads, simplified cooling systems
- **Siting:** Can be sited in areas with limited transmission infrastructure

### Opportunity for New Mexico:

- Ideal for **remote, high-solar-load areas** with growing data center interest
- Aligns with **Los Alamos and Sandia expertise** in nuclear innovation
- Supports long-term economic development with **clean energy leadership**

# Water, Roads & More

# Building for Success



Water, roads, and workforce education form the foundation for attracting and sustaining large-scale digital infrastructure projects

Helping rural and border communities compete for 21st-century tech investment

## Water Infrastructure Needs:

**Reliable water supply** for cooling systems (especially evaporative or hybrid systems)

Potential sources:

**Brackish groundwater** treatment & reuse

**Treated municipal or industrial effluent**

## Road and Transportation

### Access:

**Heavy equipment transport** and secure server deliveries require:

**Upgraded local roads** (widening, surfacing, turning radii)

Close coordination needed with:

NMDOT, Doña Ana County, and the port authority

## Education:

AI-enabled data centers need **skilled local workers** to fill roles in:

- IT support & cybersecurity
- HVAC and electrical systems
- Network operations
- AI system monitoring & maintenance

Partnerships with Doña Ana County, NMSU, EPCOR, MVEDA, El Paso Electric, Santa Teresa Land Co., and Road Recyclers

# Questions